

SWITCH CAP
P/N:SC503



Professional Manufacturer Since 2000

Materials ABS

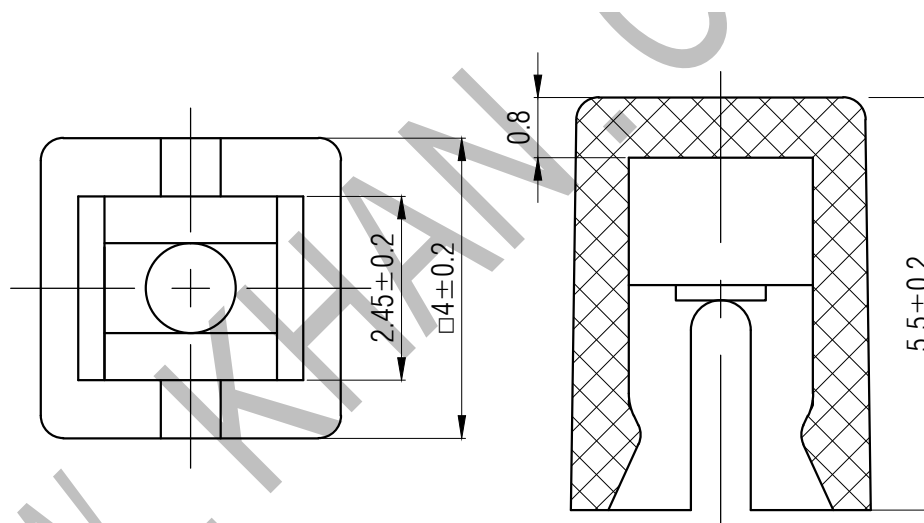
Color Black, White, Blue, Orange
(OEM AVAILABLE)

Packaging

Bulk Package

Inner Package: Plastic bag

Outer Package: Carton

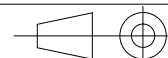


KANGHONG ELECTRONIC

VERSION

KH14FE22E

PROJECTION



Dimensions are shown:mm(inches)

DESIGN

DRAWN

APPROVAL

SCALE

10:1

SIZE

A4

2014.02.20